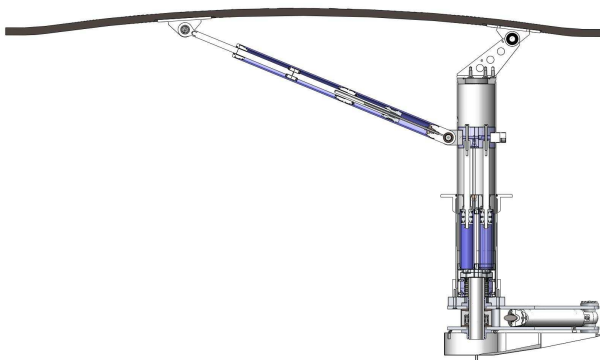


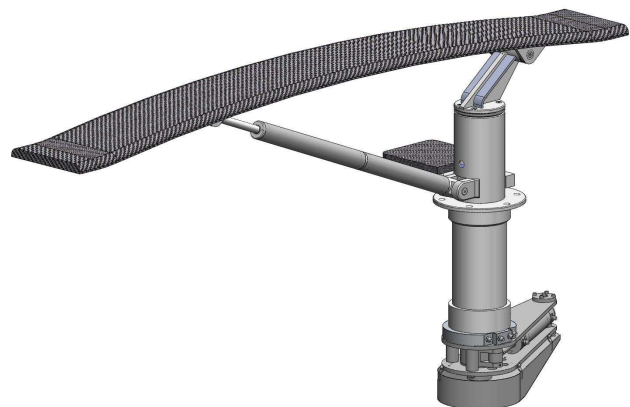
Seat - Pasarela mechanism

Seat - pasarela mechanism is intended to be mounted at the back of the boat. Together with carbon, inox or teak board can be used as seat or pasarela. Finishing the mechanism with a board is under responsibility of the shipyard or the owner of the boat.

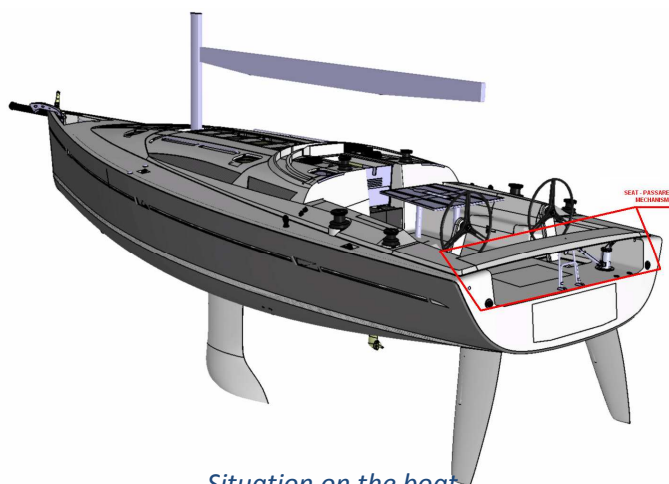
Cut through the mechanism



Visualisation of mechanism



When the mechanism is in basic position it can be used as a seat. When the boat is in harbor and passengers want to unboard they rotate the mechanism and they can safely walk to the pier. Passengers can also change the inclination of pasarela up or down from the horizontal position. Inclination cylinder has also some free movement to compensate the moving of the sea. Maneuring of pasarela can be made by remote control or fixed button on the boat.



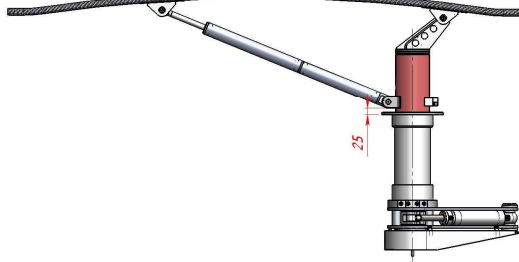
Situation on the boat

Complete mechanism is connected to power pack unit, which already exist on the boat, or we made it separately. Mechanism is also connected with electrical control unit to ensure safe and precise manueing of the mechanism.

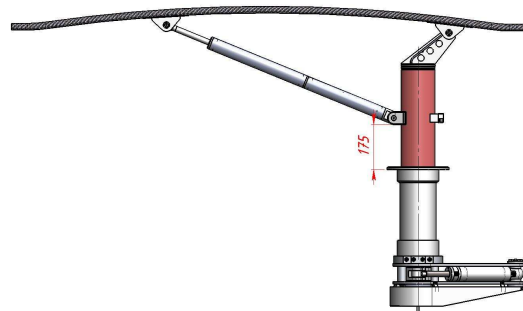
Below are drawings representing basic abilities of our mechanism.

- *Lifting of the pasarela for 150 mm*

Osnovni položaj / Basic position

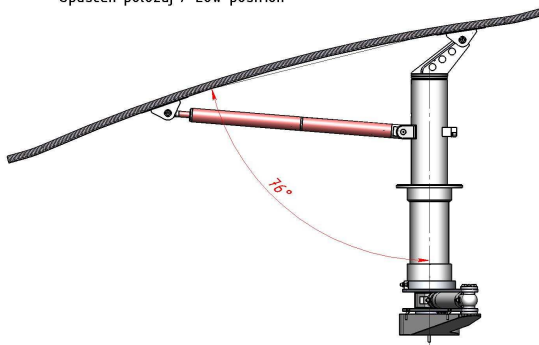


Dvignjen položaj / Up position

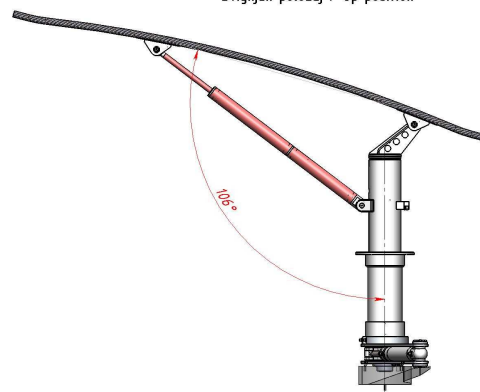


- *Changing of inclination of the pasarela (76° – 106°)*

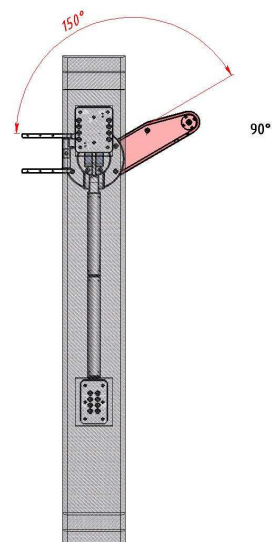
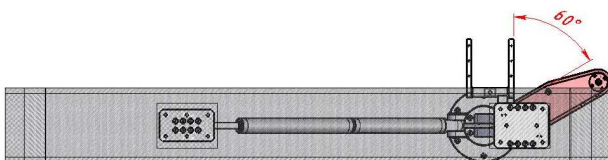
Spuščen položaj / Low position



Dvignjen položaj / Up position



- *Rotating of pasarela for 90°*



At the moment mechanism is made of stainless still, due to demand of shipyards for lighter products we are making also a version made of aluminum.